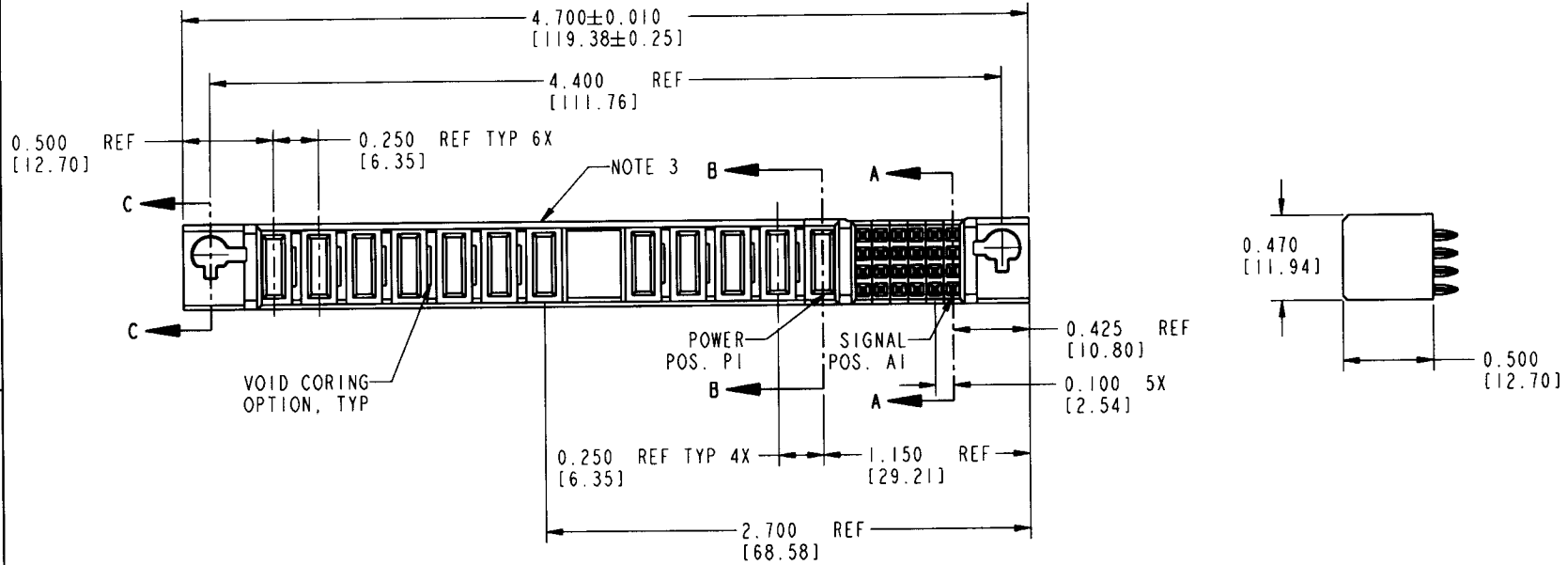


Tous droits strictement réservés. Reproduction ou communication à des tiers interdite sous quelque forme que ce soit sans autorisation écrite du propriétaire. Propriété de c FCI. Droits de reproduction FCI.

All rights strictly reserved. Reproduction or issue to third parties in any form whatever is not permitted without written authority from the proprietor. Property of FCI. Copyright FCI.



PRODUCT NUMBER
SEE SHEET 4



mat'l code		NOTE 1		tolerances unless otherwise specified		CUSTOMER		ELECTRONICS www.fciconnect.com	
ltr	ecn no.	dr	date	linear	.XX±.01/0.X±0.3	projection	title		
A	V02392	JRW	10/09/00		.XXX±.005/0.XX±0.13		24S + 5P + 1M + 7P		
B	V10136	JWS	1/12/01	angles	.XXX±.0020/.XXX±.051		VERTICAL PRESSFIT RECEPTACLE		
				dr	0°±2°	INCH/MM	product family	PwrBlade	code
				enr	J. SHAFFER 1/12/01	scale	size	dwg no	213
				chr	J. DODDS 1/12/01	1:1	A	51617	sheet
				appd	J. DODDS 1/12/01				1 of 4
sheet index	revision	B	B	B	B				
	sheet	1	2	3	4				

Pro/E

cage code 22526

PDM: Rev:B

STATUS: Released

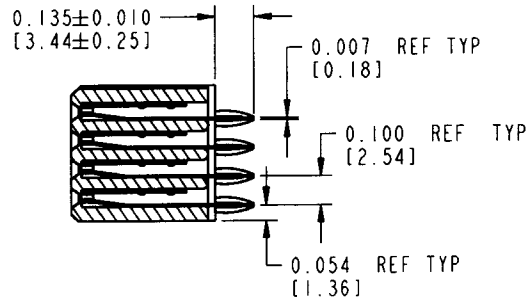
Printed: Aug 11, 2007

Tous droits strictement reserves. Reproduction ou communication a des tiers interdite sous quelque forme que ce soit sans autorisation écrite du propriétaire. Propriete de c FCI. Droits de reproduction FCI.

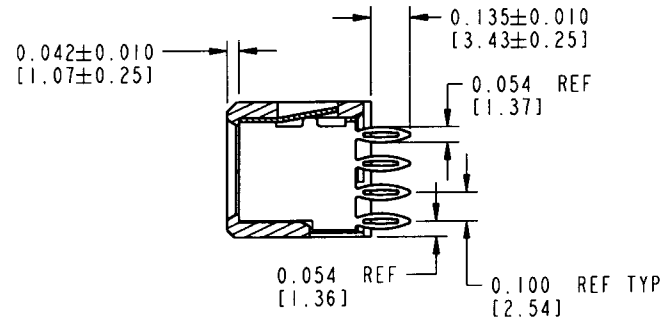
All rights strictly reserved. Reproduction or issue to third parties in any form whatever is not permitted without written authority from the proprietor. Property of FCI. Copyright FCI.



PRODUCT NUMBER
SEE SHEET 4



SECTION A-A
SCALE 3:2



SECTION B-B
SCALE 3:2

CONNECTORS - NOTES:

- ① HOUSING MATERIAL: UL 94 V-0 GLASS FILLED HIGH TEMP. THERMO PLASTIC
SIGNAL PIN MATERIAL: COPPER ALLOY
POWER CONTACT MATERIAL: COPPER ALLOY

2. PLATING:

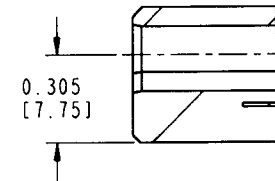
SIGNAL CONTACTS: 30u"/0.76u Au OVER 50u"/1.27u Ni
WITH SnPb ON PCB INTERFACE
POWER CONTACTS: 50u"/1.27u Ni UNDER ALL;
WITH 30u"/0.76u Au ON CONTACT AREA
AND SnPb ON PCB INTERFACE

- ③ "MANUFACTURER'S" NAME, P/N, AND DATE CODE TO APPEAR ON THIS SURFACE

4. PRODUCT SPECIFICATION GS-12-149

PCB - NOTES

- 5. ALL DIMENSIONS ARE BASIC UNLESS OTHERWISE SPECIFIED.
- 6. ALL THROUGH HOLES ARE LOCATED WITH A TRUE POSITION OF 0.004 [0.10]
- 7. ALL HOLE DIAMETERS ARE FINISHED HOLE SIZE
- 8. $\varnothing 0.0453/1.151$ DRILLED HOLES
PLATED WITH 0.0003/.008 MIN SnPb
OVER 0.001 [0.03] to 0.003 [0.08] Cu PLATING TO ACHIEVE
A $\varnothing 0.040 \pm .003$ [1.02 ± .07] HOLE



SECTION C-C
SCALE 3:2

mat'l code				NOTE 1			tolerances unless otherwise specified		CUSTOMER		FCI ELECTRONICS	
lfr	ecn no.	dr	date	linear	.XX±.01/0.X±0.3	projection	COPY		www.fciconnect.com		title	
B				angles	.XXX±.005/0.XX±0.13	INCH/MM	title		24S + 5P + 1M + 7P		VERTICAL PRESSFIT RECEPTACLE	
				dr	.XXXX±.0020/.XXX±.051	scale	product family		PwrBlade		code	
				engr	0°±2°	1:1	size		A		213	
				chr	J. SHAFFER 1/12/01		dwg no		51617		sheet	
				appd	J. DODDS 1/12/01		scale		A		2	
sheet index	revision											
	sheet											

Pro/E

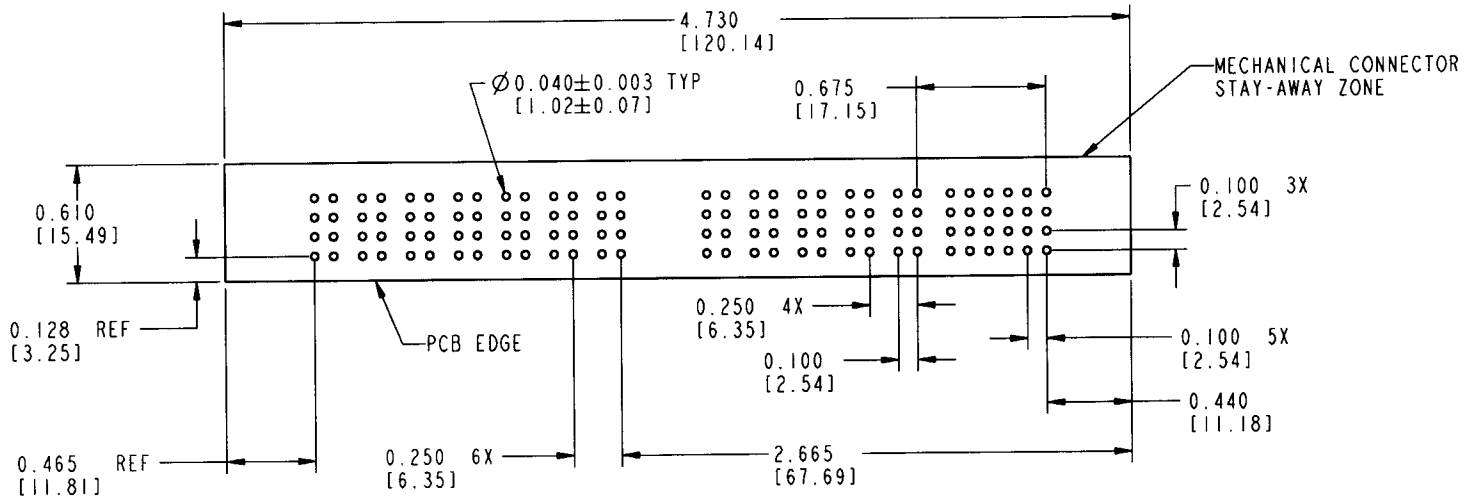
cage code 22526

Tous droits strictement réservés. Reproduction ou communication o des tiers interdite sous quelque forme que ce soit sans autorisation écrite du propriétaire. Propriété de c FCI. Droits de reproduction FCI.

All rights strictly reserved. Reproduction or issue to third parties in any form whatever is not permitted without written authority from the proprietor. Property of FCI. Copyright FCI.



PRODUCT NUMBER
SEE SHEET 4



RECOMMENDED PCB LAYOUT

mat'l code		NOTE 1		tolerances unless otherwise specified		CUSTOMER		ELECTRONICS www.fciconnect.com		
lfr	ecn no.	dr	date	linear	.XX±.01/0.XX±0.3	COPY			title 24S + 5P + 1M + 7P VERTICAL PRESSFIT RECEPTACLE	
B					.XXX±.005/0.XX±0.13	INCH/MM				product family PwrBlade code 213 size dwg no 51617 sheet 3
					.XXXX±.0020/.XXX±.051	scale 1:1				
				angles 0°±2°	dr J. SHAFFER 1/12/01					
					enrg J. DODDS 1/12/01					
					chr J. DODDS 1/12/01					
					appd J. DODDS 1/12/01					
sheet index	revision	sheet								

Pro/E

cage code 22526

PDM: Rev:B

STATUS: Released

Printed: Aug 11, 2007

Tous droits strictement réservés. Reproduction ou communication à des tiers interdite sous quelque forme que ce soit sans autorisation écrite du propriétaire. Propriété de c FCI. Droits de reproduction FCI.

All rights strictly reserved. Reproduction or issue to third parties in any form whatever is not permitted without written authority from the proprietor. Property of FCI. Copyright FCI.



A

B

PRODUCT No.	ROWS	POWER								POWER					SIGNAL						
		E2	P12	P11	P10	P9	P8	P7	P6	P5	P4	P3	P2	P1	6	5	4	3	2	1	E1
51617 - XX001	D C B A		PC	PC	PC	PC	PC	PC	PC	PC	PC	PC	PC	PC	F	F	F	F	F	F	

PRODUCT No.	ROWS	POWER								POWER					SIGNAL						
		E2	P12	P11	P10	P9	P8	P7	P6	P5	P4	P3	P2	P1	6	5	4	3	2	1	E1
51617-XX002	D C B A		PC	PC	PC	PC	PC	PC	PC	PC	PC	PC	PC	PC	F	X	F	F	F	F	

CODE	CONTACT TYPE
PC	POWER
F	SIGNAL
X	OMIT

mat'l code				NOTE 1		tolerances unless otherwise specified		CUSTOMER		FCI ELECTRONICS	
lfr	ecn no.	dr	date	linear	angles	dr	engr	chr	appd	projection	title
B				.XX±.01/0.X±0.3	0°±2°	J. SHAFFER	J. DODDS	J. DODDS	J. DODDS	INCH/MM	24S + 5P + 1M + 7P VERTICAL PRESSFIT RECEPTACLE
				.XXX±.005/0.XX±0.13		1/12/01	1/12/01	1/12/01	1/12/01	scale	product family PwrBlade code 213
				XXXX±.0020/.XXX±.05						1:1	size A 51617 sheet 4
sheet index	revision sheet										

A

B

1 | 2

3 |

4

1 | 2

Pro/E

3 |

cage code 22526

4